

(19) World Intellectual Property Organization
International Bureau



(43) International Publication Date
8 April 2004 (08.04.2004)

PCT

(10) International Publication Number
WO 2004/029942 A1

(51) International Patent Classification⁷: G11B 7/00, 11/00

(74) Agents: BAHNG, Hae Cheol et al.; Kims International Patent & Law Office, 15th Floor, Yo Sam Building, 648-23, Yeoksam-dong, Kangnam-gu, Seoul 135-080 (KR).

(21) International Application Number:
PCT/KR2003/002010

(81) Designated States (national): AE, AG, AL, AM, AT, AU, AZ, BA, BB, BG, BR, BY, BZ, CA, CH, CN, CO, CR, CU, CZ, DE, DK, DM, DZ, EC, EE, EG, ES, FI, GB, GD, GE, GH, GM, HR, HU, ID, IL, IN, IS, JP, KE, KG, KP, KR, KZ, LC, LK, LR, LS, LT, LU, LV, MA, MD, MG, MK, MN, MW, MX, MZ, NI, NO, NZ, OM, PG, PH, PL, PT, RO, RU, SC, SD, SE, SG, SK, SL, SY, TJ, TM, TN, TR, TT, TZ, UA, UG, UZ, VC, VN, YU, ZA, ZM, ZW.

(22) International Filing Date:
30 September 2003 (30.09.2003)

(25) Filing Language: English

(26) Publication Language: English

(30) Priority Data:
10-2002-0059341
30 September 2002 (30.09.2002) KR
10-2003-0001859 11 January 2003 (11.01.2003) KR

(84) Designated States (regional): ARIPO patent (GH, GM, KE, LS, MW, MZ, SD, SL, SZ, TZ, UG, ZM, ZW), Eurasian patent (AM, AZ, BY, KG, KZ, MD, RU, TJ, TM), European patent (AT, BE, BG, CH, CY, CZ, DE, DK, EE, ES, FI, FR, GB, GR, HU, IE, IT, LU, MC, NL, PT, RO, SE, SI, SK, TR), OAPI patent (BF, BJ, CF, CG, CI, CM, GA, GN, GQ, GW, ML, MR, NE, SN, TD, TG).

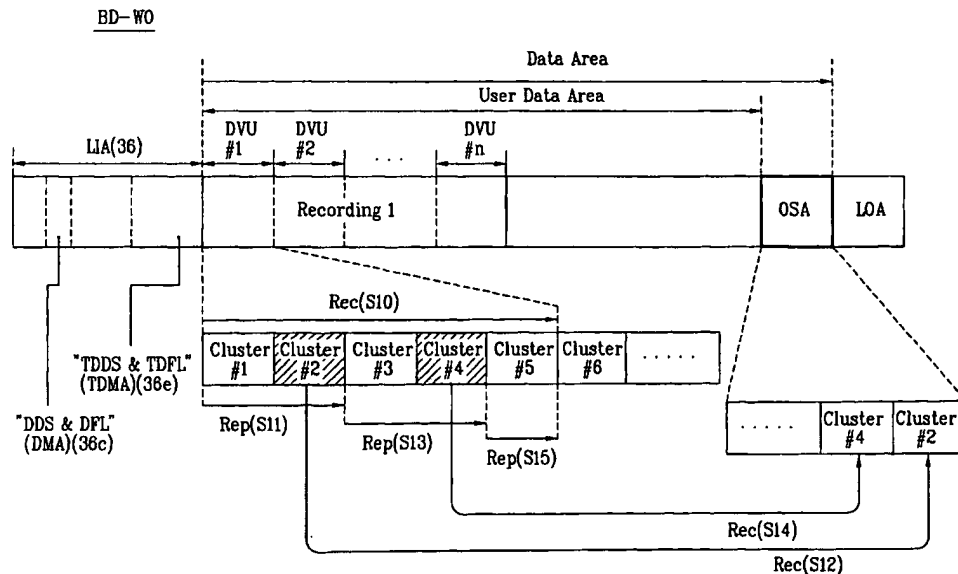
(71) Applicant: LG ELECTRONICS INC. [KR/KR]; 20, Yoido-dong, Youngdungpo-gu, Seoul 150-721 (KR).

(72) Inventors: PARK, Yong Cheol; 215-204, Jugong APT., Wonmun-dong, Gwachon-si, Gyeonggi-do 427-030 (KR). KIM, Sung Dae; 1110-1406, Jugong APT., Sanbon 1(il)-dong, Gunpo-si, Gyeonggi-do 435-746 (KR).

Published:
— with international search report
— before the expiration of the time limit for amending the claims and to be republished in the event of receipt of amendments

[Continued on next page]

(54) Title: WRITE-ONCE TYPE OPTICAL DISC, AND METHOD AND APPARATUS FOR MANAGING DEFECTIVE AREAS ON WRITE-ONCE TYPE OPTICAL DISC USING TDMA INFORMATION



(57) Abstract: A recording medium of writable once type, and a method and apparatus for managing a defective area on the recording medium are provided. The method includes detecting an existence of a defective area within a data area of the recording medium once data are written onto the data area in a data writing operation; writing data written in the defective area onto a spare area of the data area if the defective area is detected; writing temporary management information pertaining to the defective area, onto a temporary management area on the recording medium; and writing access information for accessing the temporary management information, onto a reserved area on the recording medium.

WO 2004/029942 A1



For two-letter codes and other abbreviations, refer to the "Guidance Notes on Codes and Abbreviations" appearing at the beginning of each regular issue of the PCT Gazette.

**WRITE-ONCE TYPE OPTICAL DISC, AND METHOD AND
APPARATUS FOR MANAGING DEFECTIVE AREAS ON WRITE-
ONCE TYPE OPTICAL DISC USING TDMA INFORMATION**

5 **Technical Field**

The present invention relates to an optical disc of write-once type, such as a Blu-ray Disc Write Once (BD-WO), and a method and apparatus for managing a defective area on the write-once type optical disc.

10

Background Art

A new type of high density optical disc such as a Blu-ray Disc Rewritable (BD-RE) is being developed. A benefit of the BD-RE is that it has a rewritable capability where the quality video and audio data can be written, erased and rewritten thereon repeatedly.

FIG. 1 is a block diagram of a general optical disc device for writing/reproducing data to/from an optical disc such as a BD-RE. As shown in FIG. 1, the optical disc device includes an optical pickup 11 for recording/reproducing a signal to/from a BD-RE 10, a video disc recorder (VDR) system 12 for processing a signal from the optical pickup 11 as a reproduced signal, or demodulating and processing an external data stream into a writable signal suitable for writing onto the BD-RE 10, and an encoder 13 for encoding an external analog signal and providing the encoded signal to the VDR system 12.

FIG. 2 shows a structure of a related art BD-RE. Referring to FIG. 2, the BD-RE is divided into a Lead-In Area (LIA), a data area, and a Lead-Out

area (LOA), with an Inner Spare Area (ISA) and an Outer Spare Area (OSA) assigned to a fore end and a rear end of the data area.

Referring to FIGS. 1 and 2, the VDR system 12 of the optical disc device writes in the data area of the BD-RE the external data in clusters corresponding to an ECC block unit having a predetermined size of recording, after the VDR
5 system 12 encodes and demodulates the external signal into a signal suitable for writing. During the writing process, if there is a defective area found in the data area of the BD-RE, the VDR system 12 carries out a series of replacement writing operations in which the clusters of data written onto the defective area is
10 written onto one of the spare areas, e.g., on the ISA in place of the defective area. Therefore, even if there is a defective area in the data area of the BD-RE, the VDR system 12 can prevent a data writing error in advance by writing the clusters of data written in the defective area onto the spare area.

A Blu-ray Disc Write-Once (BD-WO) is another type of high density
15 optical disc that is being developed where a high quality of data can be recorded and reproduced to/from the disc. As the name may suggest, data can be written only once on the BD-WO and is not rewritable on the BD-WO, but the BD-WO can be read repeatedly. As a result, the BD-WO is useful where the rewritability of data on a recording medium is not desired.

20 Unfortunately, since the BD-WO is still in the early development stage, there are no schemes, no disc structures, no apparatuses and no methods on how to manage the defective areas of the BD-WO, which will be needed for the BD-WO to be commercially viable and operationally feasible.

25 **Disclosure of Invention**

Accordingly, the present invention is directed to a technique for

managing a defective area on an optical disc of write-once type such as a BD-WO.

An object of the present invention is to provide a write-once type optical disc, and an apparatus and method for effectively managing a defective area of
5 the write-once type optical disc.

Additional features and advantages of the invention will be set forth in the description which follows, and in part will be apparent to those having ordinary skill in the art upon examination of the following or may be learned from practice of the invention. The objectives and other advantages of the
10 invention will be realized and attained by the structure particularly pointed out in the written description and claims hereof as well as the appended drawings.

In accordance with an aspect of the invention, a method for managing a defective area on a recording medium of writable once type, the recording medium including a data area, the data area having a spare area, comprises
15 detecting an existence of a defective area within the data area of the recording medium once data are written onto the data area in a data writing operation; writing data written in the defective area onto the spare area if the defective area is detected; writing temporary management information pertaining to the defective area, onto a temporary management area on the recording medium; and
20 writing access information for accessing the temporary management information, onto a reserved area on the recording medium.

In accordance with another aspect of the invention, a method for managing a defective area on a recording medium of writable once type, the recording medium including a data area, the data area having a spare area,
25 comprises writing data written in the defective area onto the spare area if the defective area is detected; writing temporary management information pertaining to the defective area, onto a temporary management area on the recording

medium; writing access information for accessing the temporary management information, onto a reserved area on the recording medium; and transferring, at finalization of a data writing operation on the recording medium, the temporary management information and the access information as defect management area
5 (DMA) information into another area on the recording medium.

In accordance with another aspect of the invention, an apparatus for managing a defective area on a recording medium of writable once type, the recording medium including a data area, the data area having a spare area, the comprises a combination of components for (a) detecting an existence of a
10 defective area within the data area of the recording medium once data are written onto the data area in a data writing operation, (b) writing data written in the defective area onto the spare area if the defective area is detected, (c) writing temporary management information pertaining to the defective area, onto a temporary management area on the recording medium, and (d) writing access
15 information for accessing the temporary management information, onto a reserved area on the recording medium.

In accordance with another aspect of the invention, an apparatus for managing a defective area on a recording medium of writable once type, the recording medium including a data area, the data area having a spare area,
20 comprises a combination of components for (a) writing data written in the defective area onto the spare area if the defective area is detected, (b) writing temporary management information pertaining to the defective area, onto a temporary management area on the recording medium, (c) writing access information for accessing the temporary management information, onto a
25 reserved area on the recording medium, and (d) transferring, at finalization of a data writing operation on the recording medium, the temporary management information and the access information as defect management area (DMA)

information into another area on the recording medium.

In accordance with another aspect of the invention, a recording medium of writable once type, comprises at least one recording layer including a data area, the data area having a spare area, wherein an existence of a defective area
5 within the data area of the recording medium is detected once data are written onto the data area in a data writing operation, data written in the defective area is written onto the spare area if the defective area is detected, temporary management information pertaining to the defective area is written onto a temporary management area on the recording medium, and access information
10 for accessing the temporary management information is written onto a reserved area on the recording medium.

In accordance with another aspect of the invention, a recording medium of writable once type, comprises at least one recording layer including a data area and an area outside of the data area, the data area having a spare area,
15 wherein data written in a defective area of the data area is written onto the spare area if the defective area is detected, temporary management information pertaining to the defective area is written onto a temporary management area on the recording medium, access information for accessing the temporary management information is written onto a reserved area on the recording
20 medium, and at finalization of a data writing operation on the recording medium, the temporary management information and the access information are transferred into the area outside of the data area as defect management area (DMA) information.

It is to be understood that both the foregoing description and the
25 following detailed description of the present invention are exemplary and explanatory and are intended to provide further explanation of the invention claimed.

Brief Description of the Drawings

Further objects and advantages of the invention can be more fully
5 understood from the following detailed description taken in conjunction with the
accompanying drawings, in which:

FIG. 1 illustrates a related art optical disc device schematically;

FIG. 2 illustrates a structure of a related art BD-RE;

FIG. 3 illustrates a block diagram of an optical disc
10 recording/reproducing device according to the present invention;

FIG. 4 illustrates a structure of a BD-WO and a diagram illustrating a
method for managing a defective area on the BD-WO in accordance with a
preferred embodiment of the present invention;

FIGS. 5 and 6 illustrate diagrams each showing management information
15 produced and written according to the method of FIG. 4;

FIG. 7 illustrates a structure of a dual layer BD-WO having the present
invention applied thereto; and

FIG. 8 illustrates a structure of a BD-WO and a diagram illustrating a
method for managing a defective area on the BD-WO in accordance with
20 another preferred embodiment of the present invention.

Best mode for Carrying Out the Invention

Reference will now be made in detail to the preferred embodiments of the
25 present invention, examples of which are illustrated in the accompanying
drawings.

FIG. 3 is an example of a block diagram of an optical disc

recording/reproducing device 20 according to an embodiment of the present invention. The optical disc recording/reproducing device 20 includes an optical pickup 22 for writing/reading data to/from an optical recording medium 21, a servo unit 23 for controlling the pickup 22 to maintain a distance between an objective lens of the pickup 22 and the recording medium 21 and for tracking relevant tracks on the recording medium 21, a data processor 24 for processing and supplying input data to the pickup 22 for writing, and for processing data read from the recording medium 21, an interface 25 for exchanging data and/or commands with any external host 30, a memory or storage 27 for storing information and data therein including defect management data (e.g., temporary management information, etc.) associated with the recording medium 21, and a microprocessor or controller 26 for controlling the operations and elements of the recording/reproducing device 20. Data to be written/read to/from the recording medium 21 may also be stored in the memory 27. All the components of the recording/reproducing device 20 are operatively coupled.

The recording medium 21 is a recording medium of write-once type such as a BD-WO.

FIG. 4 illustrates a structure of a BD-WO and a method for managing a defective area on the BD-WO in accordance with a preferred embodiment of the present invention.

Referring to FIG. 4, for example, the BD-WO includes a lead-in area (LIA) 36, a data area 31, and a lead-out area (LOA) 34. The data area 31 includes a user data area 32 assigned with physical sector numbers (PSN) and logical sector numbers (LSN), and non-user data areas having only the physical sector numbers assigned thereto.

The non-user data areas include an outer spare area (OSA) 35 for writing data in place of a defective area of the user data area 32, and a Temporary Defect

List (TDFL) area 33 for writing temporary management information pertaining to the defective areas of the user data area 32 and to the spare area(s) replacing the defective areas.

The data area 31 may further include an inner spare area (ISA) (not shown) at a front part of the data area 31 in addition to or in lieu of the OSA 35. The TDFL area may be located at a position adjacent to the OSA in lieu of the TDFL area 33 or in addition to the TDFL area 33.

The LIA 36 includes a Defect Management Area (DMA) 36c at any part of the LIA 36, and a Temporary Disc Definition Structure (TDDS) area 36a at any part of the LIA 36. The TDDS area 36a stores therein TDDS information. The DMA 36c stores therein DMA information including Disc Definition Structure (DDS) information and Defect List (DFL) information. The TDDS information, DDS information and DFL information will be discussed later in more detail.

The BD-WO can have one or two recording layers. A BD-WO having only a single recording layer (Layer 0) may include a single recording layer composed of a lead-in area (LIA), a data area, and a lead-out area (LOA), and is referred to herein as a single layer disc. A BD-WO having two recording layers (Layers 0 and 1) may include two recording layers each composed of a data area and a LIA (or LOA), and is referred to herein as a dual layer disc. The single layer disc can have a capacity of 23.3, 25.0 or 27.0 Gbytes, whereas the dual layer disc can have a capacity of 46.6, 50.0, or 54.0 Gbytes.

It should be noted that all the different embodiments of the present invention (e.g., various methods discussed herein) are applicable to any type of write-once optical disc, such as a single layer BD-WO or a dual layer BD-WO. Further, although the use of the recording/reproducing device 20 of FIG. 3 is discussed below in conjunction with the methods of the invention, the invention

is not limited to such and encompasses other recording/reproducing devices as long as they are configured to implement the present methods. For instance, the device shown in FIG. 1 may be used to implement the present methods as needed.

5 Referring to FIGS. 3 and 4, the optical disc recording/reproducing device
20 writes data continuously on a predetermined writing sector in the user data
area 32 of the BD-WO, where a writing sector may be set to be a Defect Verify
Unit (DVU) of a certain recording size equivalent to one or more than one
physical track or cluster on the BD-WO.

10 After continuously writing the data on the DVUs for a set of data (e.g.
Recording 1), the microcomputer 26 controls the pickup 22 to conduct a series
of defective area detecting operations on the Recording 1 area of the BD-WO.
A defective area detecting operation involves reproducing the data written in a
DVU and verifying that the data was properly written on the DVU by, e.g.,
15 comparing the actual data reproduced from the DVU with the data that was
meant to be written on the DVU. If the verification result indicates that certain
data was not properly recorded on a DVU, then the recording/reproducing device
20 assumes that there is a defective area in that DVU of the BD-WO and
rewrites the data (directed to the defective DVU) onto a spare area (e.g., OSA
35) using a linear replacement scheme.

For example, after writing first to fifth clusters of data (Clusters #1 ~ #5)
continuously as a first defect verify unit DVU #1 (step S10), the microcomputer
26 controls the pickup 22 to reproduce the data written on DVU #1 progressively
(e.g., cluster by cluster), and detects if there is any defective area in DVU #1 by
25 examining the reproduced data. If, for example, a defect is detected in the
second cluster Cluster #2 (step S11) at the cluster area 32a where Cluster #2 is
written, the microcomputer 26 controls the data processor 24 and the pickup 22

to carry out a replacement writing operation. In the replacement writing operation, the data written to the Cluster #2 area 32a, which may be temporarily stored in the memory 27 or some other storage, are written onto a cluster/replacement area within the OSA 35 (step S12). In this instance, Cluster
5 #2 data may be written in the OSA 35 starting from either the rear end or the fore end of the OSA 35.

After the replacement writing for Cluster #2 is completed, the recording/reproducing device 20 checks the next cluster and so on until the last cluster in that DVU is checked. If, for example, a defective area is detected
10 from the fourth cluster Cluster #4 (S13), the recording/reproducing device 20 carries out a replacement writing operation as discussed above to write the data written in the defective Cluster #4 area onto a next available area within the OSA 35, e.g., an area adjacent to the replacement area for Cluster #2 (step S14).

The replacement writing operations continue until data on all the
15 defective clusters in the DVU are written in replacement areas such as spare areas. As a result, in this example, DVU #1 ends up having Clusters #1, #3, and #5 and two defective areas (original Clusters #2 and #4), where the replacement areas (OSA 35) are used to write data thereon in lieu of the two defective areas using a linear replacement scheme.

20 Once the data recording (Recording 1) having a temporal continuity ends (which includes the data write operations, the defective area detecting operations and replacement writing operations for DVU #1, DVU #2, ..., DVU #n), the microcomputer 26 writes temporary management information in the form of TDFL information onto the TDFL area 33. In the alternative, when the data
25 recording (e.g., Recording 1) having a temporary continuity ends in the middle of writing the data written in the defective area onto the OSA 35 during the replacement writing operation, the microcomputer 26 may write defect entries

onto the TDFL area 33 as TDFL information at that point, and then update the TDFL information as needed subsequently.

The temporary management information is used to manage the defective areas in the data area 31 of the BD-WO and to manage the data written in the replacement areas corresponding to the defective areas. The temporary
5 management information may be managed as, e.g., TDFL information containing one or more TDFLs. FIG. 5 shows a structure of TDFL information according to an embodiment of the invention.

As shown in FIG. 5, the TDFL information includes one or a plurality of
10 TDFLs (TDFL #1 ~ TDFL #n). Each TDFL may include one or a plurality of defect entries Defect_Entry #1 – Defect_Entry #m. Each defect entry has a first physical sector number of a corresponding defective area (PSN of Defective), a first physical sector number of a replacement area corresponding to that defective area (PSN of Replacement), status information (Status), and any
15 other data pertaining to a defect entry. That is, the PSN of Defective is a physical sector number of a starting point of a cluster area containing the defect. Similarly, the PSN of Replacement is a physical sector number of a starting point of a replacement area for replacing the defective cluster area.

As an example only, if the status information (Status) is 'Status = 0000',
20 this status information indicates that the management information written in the corresponding defect entry is a first-time management information on the data written in lieu of the defective area detected at the time of data writing operation. That is, it indicates that there is no defect in the replacement area (e.g., in the OSA 35) corresponding to the defective area. On the other hand, if the status
25 information is 'Status = 1001', this status information indicates that the management information written in the corresponding defect entry is not the first-time management information, but is a second-time management

information. That is, it indicates that there was a defect in the first replacement area (e.g., in the OSA 35) corresponding to the defective area and the current management information pertains to a new, second replacement area (e.g., in the OSA 35) that replaces the first defective replacement area in the OSA 35.

5 Once the writing of the TDFL information (e.g., TDFL #1) for Recording 1 is completed, the recording/reproducing device 20 may continue with another data writing operation (e.g., Recording 2) having a temporal continuity. When the data writing operation (Recording 2) ends (which includes the defective area detecting operations and the replacement writing operations for all the DVUs of
10 Recording 2 as discussed above), the temporary management information for Recording 2 may be written onto the TDFL area 33. This process may be repeated as long as all the data to be written in the data area of the BD-WO are properly written.

For fast access to the TDFL information written thus far, the
15 microcomputer 26 may be configured to write fast access information in other part(s) of the BD-WO. The fast access information may be, e.g., Temporary Disc Definition Structure (TDDS) information and may be written in a reserved area 36a of the LIA 36 (FIG. 4).

As shown in FIG. 5, for instance, the TDDS information includes one or
20 more physical sector numbers (e.g., PSN of TDFL #1) each indicating a location of a TDFL written in the TDFL area 33, flag information (e.g., Spare & TDFL Full Flag) for indicating whether or not the OSA area 35 and/or the TDFL area 33 is full, and any other information pertaining to the TDFL information. Here, a single flag may be used to indicate whether both the OSA area 35 and the TDFL
25 area 33 are full, or multiple flags may be used to indicate whether the OSA area 35 and/or the TDFL area 33 is full. Temporary Defect Management Area (TDMA) information includes the TDDS information and the TDFL information.

FIG. 6 is a diagram illustrating the process of managing defects in replacement areas according to an embodiment of the present invention. Referring to FIGS. 4-6, as an example, in the data writing operation when the second cluster of data (Cluster #2) is written onto a replacement area 35a within the OSA 35 due to a defect in the corresponding cluster area 32a of the user data area 32, the recording/reproducing device 20 writes TDFL information pertaining to Cluster #2 onto the TDFL area 33 as discussed above. This TDFL information contains a first defect entry (e.g., Defect_Entry #1) pertaining to Cluster #2, a physical sector number of the replacement area 35a (PSN of Replacement Cluster #2), a physical sector number of the second cluster area 32a having a defect (PSN of Defective Cluster #2), the status information of 'Status = 0000', and so on.

Thereafter, if a new defect is detected in the middle of reproduction of the second cluster of data Cluster #2 written in the replacement area 35a of the OSA 35 according to the data reproduction operation (step S50), the second cluster of data Cluster #2 is written onto a second replacement area (e.g., area 35c) of the OSA 35 (step S51). The physical sector number of the second replacement area 35c (PSN of Replacement Cluster #2 (New)), the physical sector number of the second cluster area 32a of the user data area 32 having a defect (PSN of Defective Cluster #2), the status information of 'Status = 1001' (indicating double replacements), etc. are written onto the TDFL area 33 as a (m+1)th defect entry (Defect_Entry #(m+1)). Any defect in the replacement/spare areas is managed in this manner.

When a data reproduction operation is carried out again, the second cluster of data written in the second replacement area 35c of the OSA 35 is read and reproduced based on the stored TDFL information of the (m+1)th defect entry while disregarding the TDFL information on the first defect entry written

before. The status information of '1001' value included in the (m+1)th defect entry (Defect_Entry #(m+1)) indicates to the recording/reproducing device 20 to disregard the data obtained from using the previous defect entry (e.g., Defect_Entry #1).

5 In this manner, different status values can be designated to indicate priority of defect entries. As a mere example, the status information of '1101' value associated with a defective cluster area may mean that the recording/reproducing device 20 should disregard the next lower priority defect entry having the status information of '1001' value and associated with the same
10 defective cluster area. That is, the status value of '1101' may indicate that a defect is present in the second replacement area and that the present replacement area is a third replacement area replacing the defective second replacement area of the OSA 35. Obviously, any value(s) can be used as the status information.

In one embodiment, if the flag information (e.g. 'Spare & TDFL Full
15 Flag') in the TDDS indicates that the OSA 35 and the TDFL area 33 are full with data, then the recording/reproducing device 20 does not carry out, but omits any unnecessary defective area detecting and replacement writing operations. But if the OSA 35 and the TDFL area 33 are not full with data based on the flag information, the recording/reproducing device 20 continues with the defective
20 area detecting and replacement writing operations. The defective area detecting and replacement writing operations can be stopped without a command for finalizing the data writing on the BD-WO, such as a 'Disc Finalize' command. Such a command to finalize the data writing on the BD-WO can be generated by the microcomputer 26. For instance, if the user data area 32 or an
25 operator's selected user data is full, then the command to finalize the data writing on the BD-WO may be generated.

In another example, upon reception of the command for finalizing

(finalize command) the data writing on the BD-WO, such as a 'Disc Finalize' command, in the middle of the defective area detecting and replacement writing operations, and if the flag information indicates that the OSA 35 and the TDFL area 33 are not full, then the recording/reproducing device 20 may keep performing the defective area detecting and replacement writing operations even though the recording/reproducing device 20 stops a general data writing operation (e.g., writing data into the user data area 32).

At the finalization (e.g., in response to the finalize command), the microcomputer 26 reads the TDDS information and the TDFL information written thus far in the areas 36a and 33, respectively, and writes them permanently onto the Defect Management Area (DMA) 36c in the LIA 36 as DMA information. That is, TDMA information composed of the TDDS information and the TDFL information is transferred onto the DMA 36c as DMA information composed of the DDS information and DFL information. The DDS information and DFL information correspond respectively to the TDDS and the TDFL information, but in the DDS information, the PSNs stored in the TDDS information are modified to correspond to the location(s) of the DFLs instead of the location(s) of the TDFLs.

The BD-WO may include a plurality of DMAs with the same DMA information stored in each of the DMAs, so that any loss or inaccurate reading of DMA information may be prevented in view of the duplicability of the DMA information from different DMAs. The first and second defect management areas DMA 1 and 2 may be assigned to the LIA, and third and fourth defect management areas DMA 3 and 4 may be assigned to the LOA. Accordingly, when a recording/reproducing device carries out a data reproduction operation, the data written in the replacement area(s) of the spare area, instead of the defective area(s) of the user data area, can be read and reproduced using the

DDS information and the DFL information (DMA information) stored in any one of the DMAs.

Moreover, the data written in a subsequent replacement area due to any defect in the replacement areas can be read and reproduced properly using the
5 status information in the defect entries (Defect_Entrys).

Furthermore, any unnecessary defect detecting and replacement writing operations can be stopped automatically with reference to the flag information (Spare & TDFL Full Flag) included in the TDDS information and the like, if the spare area and the TDFL area are full.

10 FIG. 7 shows a structure of a dual layer BD-WO according to an embodiment of the present invention. Referring to FIG. 7, the BD-WO is a dual layer disc having a first layer (Layer #0) and a second layer (Layer #1). The first layer includes a LIA 36, a data area 31 and an outer zone area (Outer Zone 0), whereas the second layer includes a data area 31, an outer zone area (Outer
15 Zone 1), and a LOA 41. Also, a first outer spare area (OSA 0) 35 and a second outer spare area (OSA1) 42 may be assigned to non-user data areas adjacent to the outer zone (Outer Zone 0) of the first layer and the outer zone (Outer Zone 1) of the second layer, respectively.

Applying the above-discussed concepts of the invention, a TDFL area
20 may be located in a non-user data area 33 adjacent to the LIA 36 of the first layer, and a TDFL area may be located in a non-user data area 40 adjacent to the LOA 41 of the second layer. Since the data writing operation generally occur from the start of the user data area 32a of the first layer (indicated here as "LSN=0") to the end of the user data area 32b of the second layer (indicated here as "Last
25 LSN") in the dotted arrow direction as shown, the TDFL areas 33 and 40 may be used sequentially or independently to store therein the TDFL information. If the TDFL areas 33 and 40 are sequentially used, then the second TDFL area 40

would not be used until the first TDFL area 33 is filled up. If the TDFL areas 33 and 40 are used independently, each TDFL area may be assigned to contain information directed to only one layer. For instance, the TDFL area 33 may contain information pertaining to only the first layer (Layer #0), and the TDFL
5 area 40 may contain information pertaining to only the second layer (Layer #1).

Similarly, the LIA 36 and the LOA 41 may be used sequentially or independently to store therein the TDDS and/or DMA (DDS & DFL) information as discussed above. For instance, if the LIA 36 and the LOA 41 are sequentially used, then the second TDDS area 41a may not be used until the
10 first TDDS area 36a is filled up. If the LIA 36 and the LOA 41 are used independently, for instance, the first TDDS area 36a may contain information pertaining to only the first layer (Layer #0), and the second TDDS area 41a may contain information pertaining to only the second layer (Layer #1).

Likewise, the first and second DMAs 36c and 41c may be used
15 sequentially or independently. For instance, if the DMAs 36c and 41c are used sequentially, then the second DMA 41c would not be used until the first DMA 36c is filled up. If the DMAs 36c and 41c are used independently, then the first DMA 36c may contain DMA information pertaining only to the first layer (Layer #0) (which may be obtained from the first TDMA areas 33 and 36a
20 and/or the second TDMA areas 40 and 41a) or may contain DMA information entirely corresponding to the information stored in the first TDMA areas 33 and 36a. In the same case, the second DMA 41c may contain DMA information pertaining only to the second layer (Layer #1) (which may be obtained from the first TDMA areas 33 and 36a and/or the second TDMA areas 40 and 41a), or
25 may contain DMA information entirely corresponding to the information stored in the second TDMA areas 40 and 41a. Other variations are possible.

Each TDFL area may have a recording size equivalent to 2048 physical

clusters, and each OSA may have a recording size equivalent to multiple of 256 physical clusters.

FIG. 8 show a structure of a BD-WO and a diagram for illustrating a method of managing defective areas on the BD-WO according to another preferred embodiment of the present invention. This embodiment is identical to the embodiment shown in FIGS. 4-6 above, except that both the TDFL information and the TDDS information are now written in a particular sector in front/behind of the data area, for example, in the LIA.

For example, referring to FIG. 8, the LIA 36 includes a DMA 36c for storing therein the DMA information composed of the DDS and DFL information, and a TDMA area 36e for storing therein the TDMA information composed of the TDDS and TDFL information. Other data may be also stored in the LIA 36.

This concept of the FIG. 8 embodiment is equally applicable to a BD-WO having a plurality of recording layers. For example, the embodiment of FIG. 8 is equally applicable to the dual layer BD-WO structure shown in FIG. 7. In that case, the structure of the dual layer BD-WO having DMA and TDMA information as discussed above in reference to FIG. 7 can be modified such that the TDFL areas can be located within the LIA and/or LOA of the dual layer BD-WO, in stead of being located within the data areas (33, 40) of the first and second layers. All other concepts associated with the FIG. 7 embodiment can apply herein.

In the present invention, the data reproducing operation can occur currently, subsequently or prior to the data writing operation. The data writing operation can occur currently, subsequently or prior to the defect detecting operation and/or data replacement writing operation and/or the management information writing operation. Also in the present invention, the order in

which the DDS area, DFL area, TDDS area, and the TDFL area are allocated within the LIA and LOA may vary. For instance, in FIG. 4, the TDDS area 36a may precede the DMA 36c in the LIA 36.

5 **Industrial applicability**

As has been described, the method and apparatus for managing a defective area on a recording medium of write-once type permit reading and/or reproducing of data written on a defective area of the recording medium such as
10 BD-WO, properly by writing the data on a spare area in lieu of the defective area and managing the temporary management data, effectively. In addition, the method and apparatus can read and reproduce the data written in other replacement areas when the first replacement area is found to be defective, using status information in a defect entry. The method and apparatus can stop
15 unnecessary defect detecting and/or replacement writing operations if the spare area (replacement area) and the TDFL area are indicated as full based on flag information stored in TDDS information.

It will be apparent to those skilled in the art that various modifications and variations can be made in the present invention without departing from the
20 spirit or scope of the invention. Thus, it is intended that the present invention cover the modifications and variations of this invention provided they come within the scope of the appended claims and their equivalents.

What is Claimed is:

1. A method for managing a defective area on a recording medium of
writable once type, the recording medium including a data area, the data area
5 having a spare area, the method comprising:

(a) detecting an existence of a defective area within the data area of the
recording medium once data are written onto the data area in a data writing
operation;

(b) writing data written in the defective area onto the spare area if the
10 defective area is detected;

(c) writing temporary management information pertaining to the
defective area, onto a temporary management area on the recording medium; and

(d) writing access information for accessing the temporary management
information, onto a reserved area on the recording medium.

15

2. The method as claimed in claim 1, wherein in the writing step (c), the
temporary management area is located within a non-user data area of the data
area on the recording medium.

20 3. The method as claimed in claim 2, wherein the recording medium
includes first and second recording layers having first and second data areas,
respectively, and wherein in the writing step (c), the temporary management area
includes first and second temporary management areas respectively located
within the first and second data areas.

25

4. The method as claimed in claim 1, wherein in the writing step (c), the
temporary management area is located outside of the data area on the recording

medium.

5. The method as claimed in claim 4, wherein the temporary management area is located in a lead-in area on the recording medium.

5

6. The method as claimed in claim 4, wherein the recording medium includes first and second recording layers, the first recording layer having a first data area and a lead-in area, the second recording layer having a second data area and a lead-out area, and wherein the temporary management area and the reserved area are both located within at least one of the lead-in area of the first recording layer and the lead-out area of the second recording layer.

10

7. The method as claimed in claim 1, wherein in the writing step (d), the reserved area is located outside of the data area on the recording medium.

15

8. The method as claimed in claim 7, wherein the reserved area is located in a lead-in area or a lead-out area on the recording medium.

9. The method as claimed in claim 7, wherein the recording medium includes first and second recording layers having first and second data areas, respectively, and wherein in the writing step (d), the reserved area includes first and second reserved areas respectively located outside of the first and second data areas.

20

10. The method as claimed in claim 2, wherein in the writing step (d), the reserved area is located outside of the data area on the recording medium.

25

11. The method as claimed in claim 10, wherein the recording medium includes first and second recording layers having first and second data areas, respectively,

in the writing step (c), the temporary management area includes first and second temporary management areas respectively located within the first and second data areas, and

in the writing step (d), the reserved area includes first and second reserved areas respectively located outside of the first and second data areas.

12. The method as claimed in claim 4, wherein in the writing step (d), the reserved area is also located outside of the data area on the recording medium.

13. The method as claimed in claim 12, wherein the recording medium includes first and second recording layers having first and second data areas, respectively,

in the writing step (c), the temporary management area includes first and second temporary management areas respectively located outside of the first and second data areas, and

in the writing step (d), the reserved area includes first and second reserved areas respectively located outside of the first and second data areas.

14. The method as claimed in claim 1, wherein in the writing step (c), the temporary management information includes temporary defect list (TDFL) information having at least one temporary defect list (TDFL), the at least one temporary defect list identifying a location of the defective area and a location of a replacement area in the spare area corresponding to the defective area.

15. The method as claimed in claim 14, wherein the at least one TDFL further includes status information identifying whether a defect is present in the replacement area of the spare area.

5 16. The method as claimed in claim 15, further comprising:

(e) examining status information in a current defect entry of the at least one TDFL during a data reproduction operation; and

(f) disregarding data reproduced using a previous defect entry associated with the current defect entry, if the status information in the current defect entry
10 indicates that a defect is present in a part of the spare area associated with the previous defect entry.

17. The method as claimed in claim 1, wherein in the writing step (d), the access information includes temporary disc definition structure (TDDS)
15 information identifying location information pertaining to the temporary management information on the recording medium.

18. The method as claimed in claim 17, wherein in the writing step (d), the access information further includes flag information indicating whether at
20 least one of the spare area and the temporary management area is full.

19. The method as claimed in claim 1, further comprising:

(g) transferring, at finalization of a data writing operation on the recording medium, the temporary management information and the access
25 information as defect management area (DMA) information into an area outside of the data area on the recording medium.

20. The method as claimed in claim 19, wherein in the transferring step (g), the area outside of the data area is a lead-in area or a lead-out area on the recording medium.

5 21. The method as claimed in claim 1, wherein the recording medium is a Blu-ray Disc Write Once (BD-WO).

22. A method for managing a defective area on a recording medium of writable once type, the recording medium including a data area, the data area
10 having a spare area, the method comprising:

 writing data written in the defective area onto the spare area if the defective area is detected;

 writing temporary management information pertaining to the defective area, onto a temporary management area on the recording medium;

15 writing access information for accessing the temporary management information, onto a reserved area on the recording medium; and

 transferring, at finalization of a data writing operation on the recording medium, the temporary management information and the access information as defect management area (DMA) information into another area on the recording
20 medium.

23. The method as claimed in claim 22, wherein in the transferring step, the another area on the recording medium includes at least one of a lead-in area and a lead-out area on the recording medium.

25

24. The method as claimed in claim 22, wherein the recording medium is a Blu-ray Disc Write Once (BD-WO).

25. An apparatus for managing a defective area on a recording medium of writable once type, the recording medium including a data area, the data area having a spare area, the apparatus comprising:

5 (a) means for detecting an existence of a defective area within the data area of the recording medium once data are written onto the data area in a data writing operation;

(b) means for writing data written in the defective area onto the spare area if the defective area is detected;

10 (c) means for writing temporary management information pertaining to the defective area, onto a temporary management area on the recording medium; and

(d) means for writing access information for accessing the temporary management information, onto a reserved area on the recording medium.

15

26. An apparatus for managing a defective area on a recording medium of writable once type, the recording medium including a data area, the data area having a spare area, the apparatus comprising:

20 (a) means for writing data written in the defective area onto the spare area if the defective area is detected;

(b) means for writing temporary management information pertaining to the defective area, onto a temporary management area on the recording medium;

(c) means for writing access information for accessing the temporary management information, onto a reserved area on the recording medium; and

25 (d) means for transferring, at finalization of a data writing operation on the recording medium, the temporary management information and the access information as defect management area (DMA) information into another area on

the recording medium.

27. A recording medium of writable once type, comprising:

at least one recording layer including a data area, the data area having a
5 spare area,

wherein an existence of a defective area within the data area of the
recording medium is detected once data are written onto the data area in a data
writing operation,

data written in the defective area is written onto the spare area if the
10 defective area is detected,

temporary management information pertaining to the defective area is
written onto a temporary management area on the recording medium, and

access information for accessing the temporary management information
is written onto a reserved area on the recording medium.

15

28. The recording medium as claimed in claim 27, wherein the data area
includes a user data area and a non-user data area, and the temporary
management area is located within the non-user data area on the recording
medium.

20

29. The recording medium as claimed in claim 28, wherein the at least
one recording layer includes first and second recording layers having first and
second data areas, respectively, and the temporary management area includes
first and second temporary management areas respectively located within the
25 first and second data areas.

30. The recording medium as claimed in claim 27, wherein the temporary

management area is located outside of the data area on the recording medium.

31. The recording medium as claimed in claim 30, wherein the temporary management area is located in a lead-in area on the recording medium.

5

32. The recording medium as claimed in claim 30, wherein the at least one recording layer includes first and second recording layers, the first recording layer having a first data area and a lead-in area, the second recording layer having a second data area and a lead-out area, and wherein the temporary management area and the reserved area are both located within at least one of the lead-in area of the first recording layer and the lead-out area of the second recording layer.

10

33. The recording medium as claimed in claim 27, wherein the reserved area is located outside of the data area on the recording medium.

15

34. The recording medium as claimed in claim 33, wherein the at least one recording layer further includes a lead-in area or a lead-out area, and the reserved area is located in the lead-in area or the lead-out area on the recording medium.

20

35. The recording medium as claimed in claim 33, wherein the at least one recording layer includes first and second recording layers having first and second data areas, respectively, and the reserved area includes first and second reserved areas respectively located outside of the first and second data areas.

25

36. The recording medium as claimed in claim 28, wherein the reserved

area is located outside of the data area including the user data area on the recording medium.

37. The recording medium as claimed in claim 36, wherein the at least
5 one recording layer includes first and second recording layers having first and second data areas, respectively,

the temporary management area includes first and second temporary management areas respectively located within the first and second data areas, and

10 the reserved area includes first and second reserved areas respectively located outside of the first and second data areas.

38. The recording medium as claimed in claim 30, wherein the reserved area is also located outside of the data area on the recording medium.

15

39. The recording medium as claimed in claim 38, wherein the at least one recording layer includes first and second recording layers having first and second data areas, respectively,

20 the temporary management area includes first and second temporary management areas respectively located outside of the first and second data areas, and

the reserved area includes first and second reserved areas respectively located outside of the first and second data areas.

25 40. The recording medium as claimed in claim 27, wherein the temporary management information includes temporary defect list (TDFL) information having at least one temporary defect list (TDFL), the at least one temporary

defect list identifying a location of the defective area and a location of a replacement area in the spare area corresponding to the defective area.

41. The recording medium as claimed in claim 40, wherein the at least
5 one TDFL further includes status information identifying whether a defect is present in the replacement area of the spare area.

42. The recording medium as claimed in claim 40, wherein the location
of the defective area and the location of a replacement area in the spare area
10 corresponding to the defective area are represented in physical sector numbers.

43. The recording medium as claimed in claim 27, wherein the access
information includes temporary disc definition structure (TDDS) information
identifying location information pertaining to the temporary management
15 information on the recording medium.

44. The recording medium as claimed in claim 43, wherein the access
information further includes flag information indicating whether at least one of
the spare area and the temporary management area is full.
20

45. The recording medium as claimed in claim 27, wherein the at least
one recording layer further includes an area outside of the data area on the
recording medium,

where, at finalization of a data writing operation on the recording
25 medium, the temporary management information and the access information are transferred into the area outside of the data area as defect management area (DMA) information.

46. The recording medium as claimed in claim 45, wherein the area outside of the data area is a lead-in area or a lead-out area on the recording medium.

5

47. The recording medium as claimed in claim 27, wherein the recording medium is a Blu-ray Disc Write Once (BD-WO).

48. A recording medium of writable once type, comprising:

10 at least one recording layer including a data area and an area outside of the data area, the data area having a spare area,

wherein data written in a defective area of the data area is written onto the spare area if the defective area is detected,

15 temporary management information pertaining to the defective area is written onto a temporary management area on the recording medium,

access information for accessing the temporary management information is written onto a reserved area on the recording medium, and

20 at finalization of a data writing operation on the recording medium, the temporary management information and the access information are transferred into the area outside of the data area as defect management area (DMA) information.

49. The recording medium as claimed in claim 48, wherein the area outside of the data area on the recording medium includes at least one of a lead-in area and a lead-out area on the recording medium.

25

50. The recording medium as claimed in claim 48, wherein the recording

medium is a Blu-ray Disc Write Once (BD-WO).

FIG. 1
Related Art

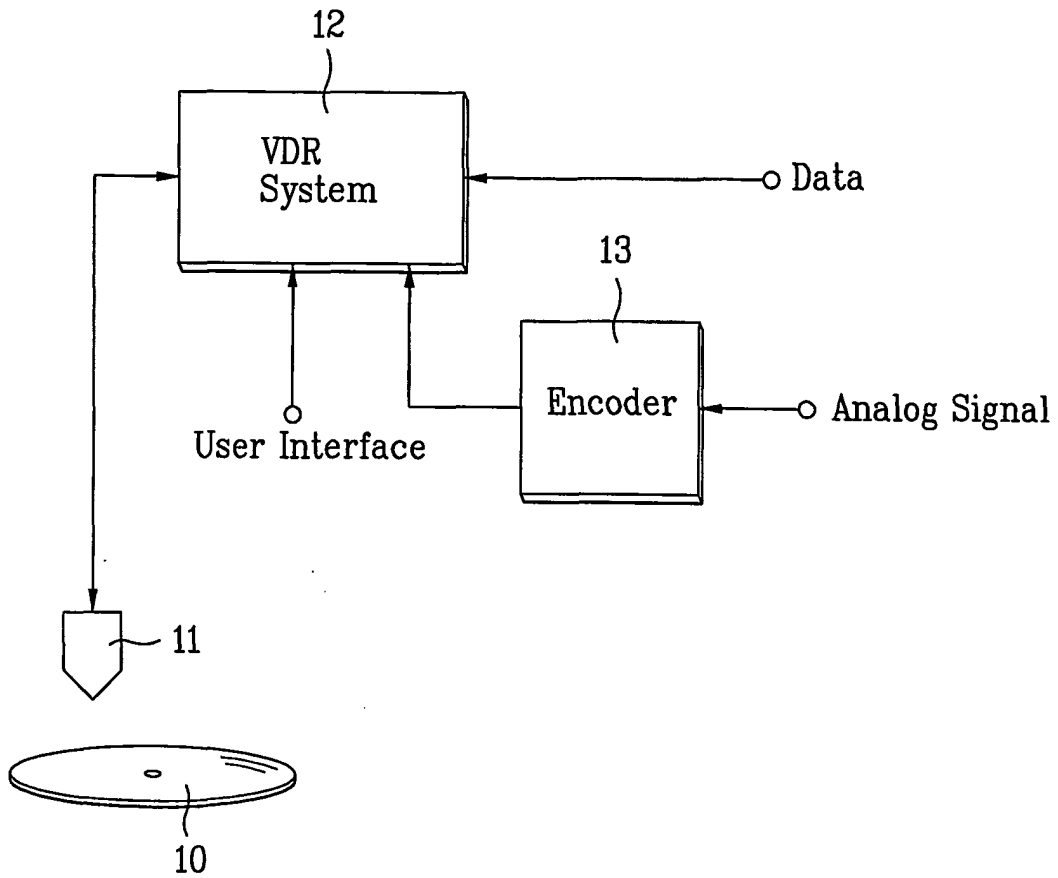


FIG. 2
Related Art

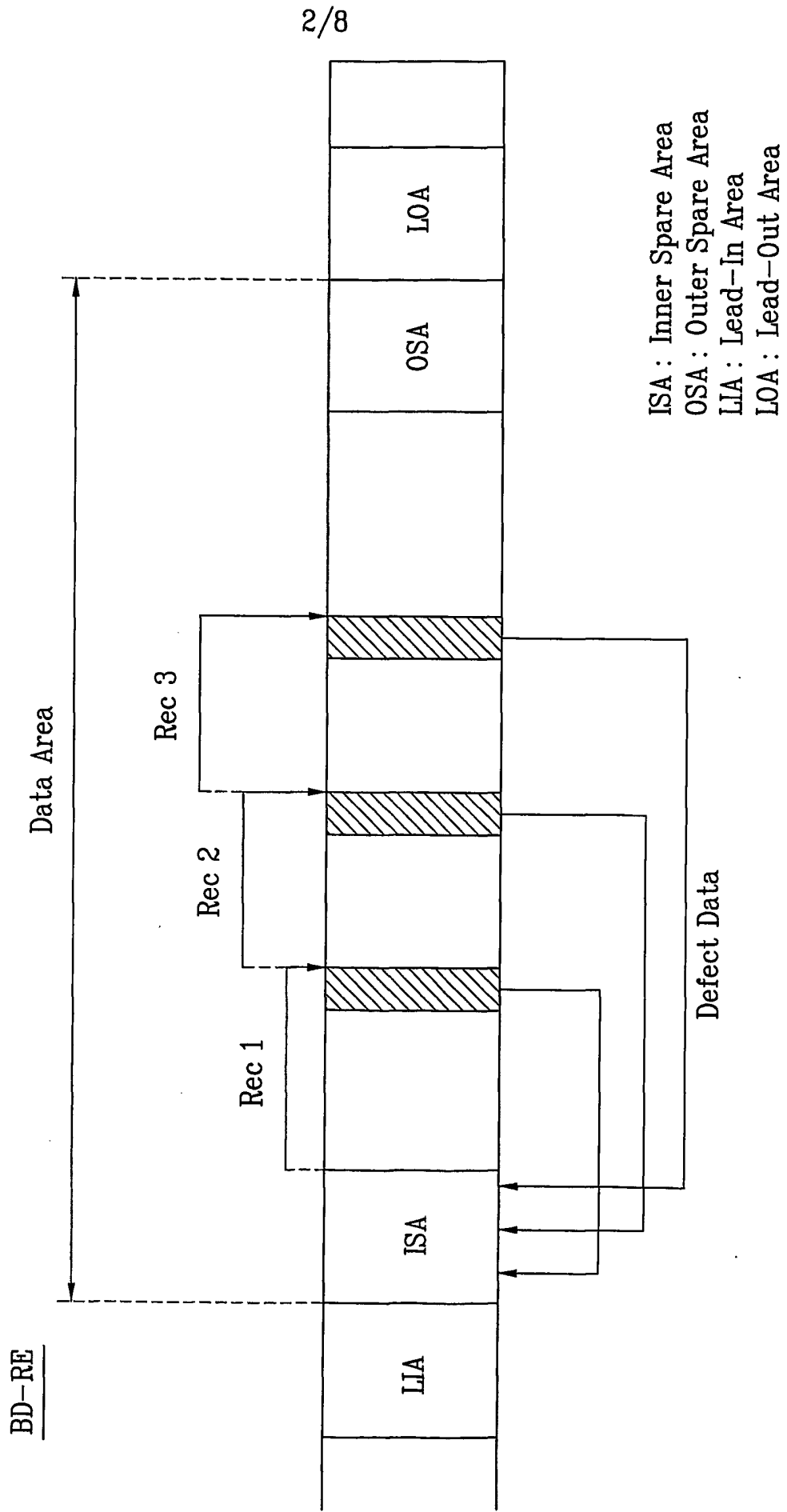


FIG. 3

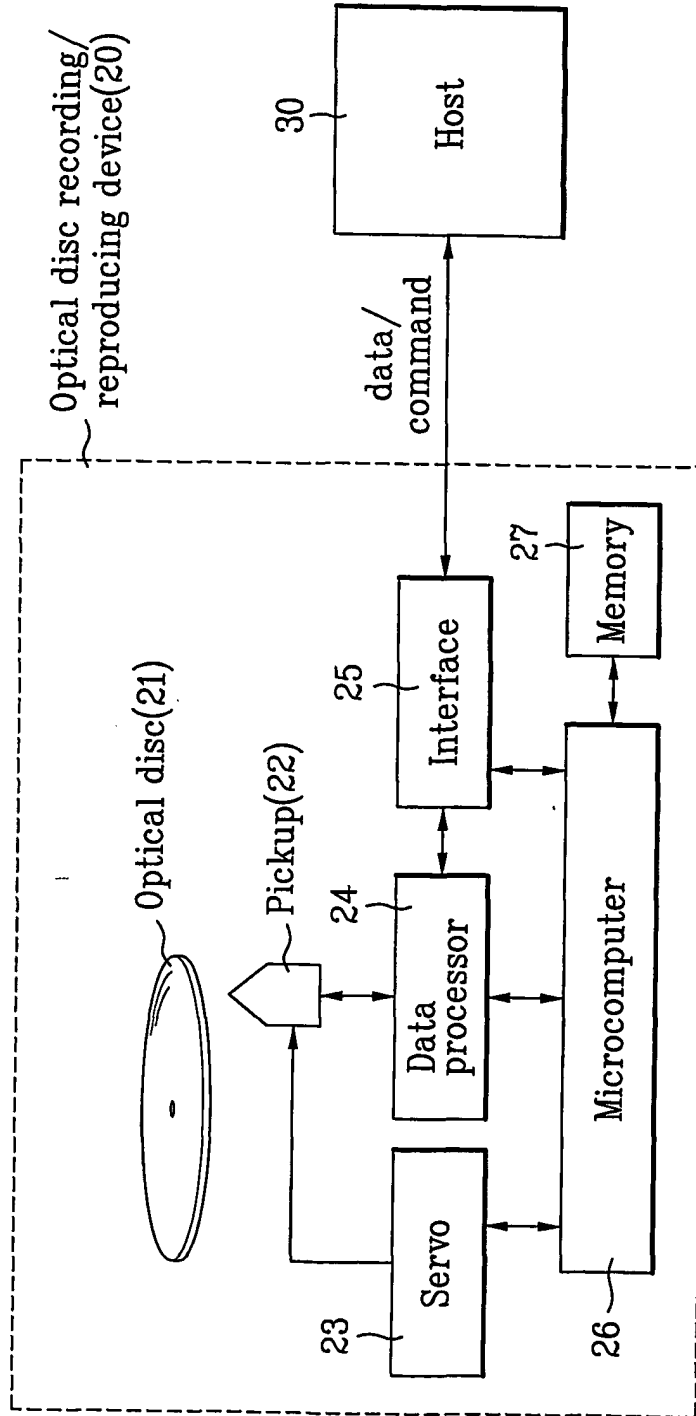


FIG. 4

BD-WO

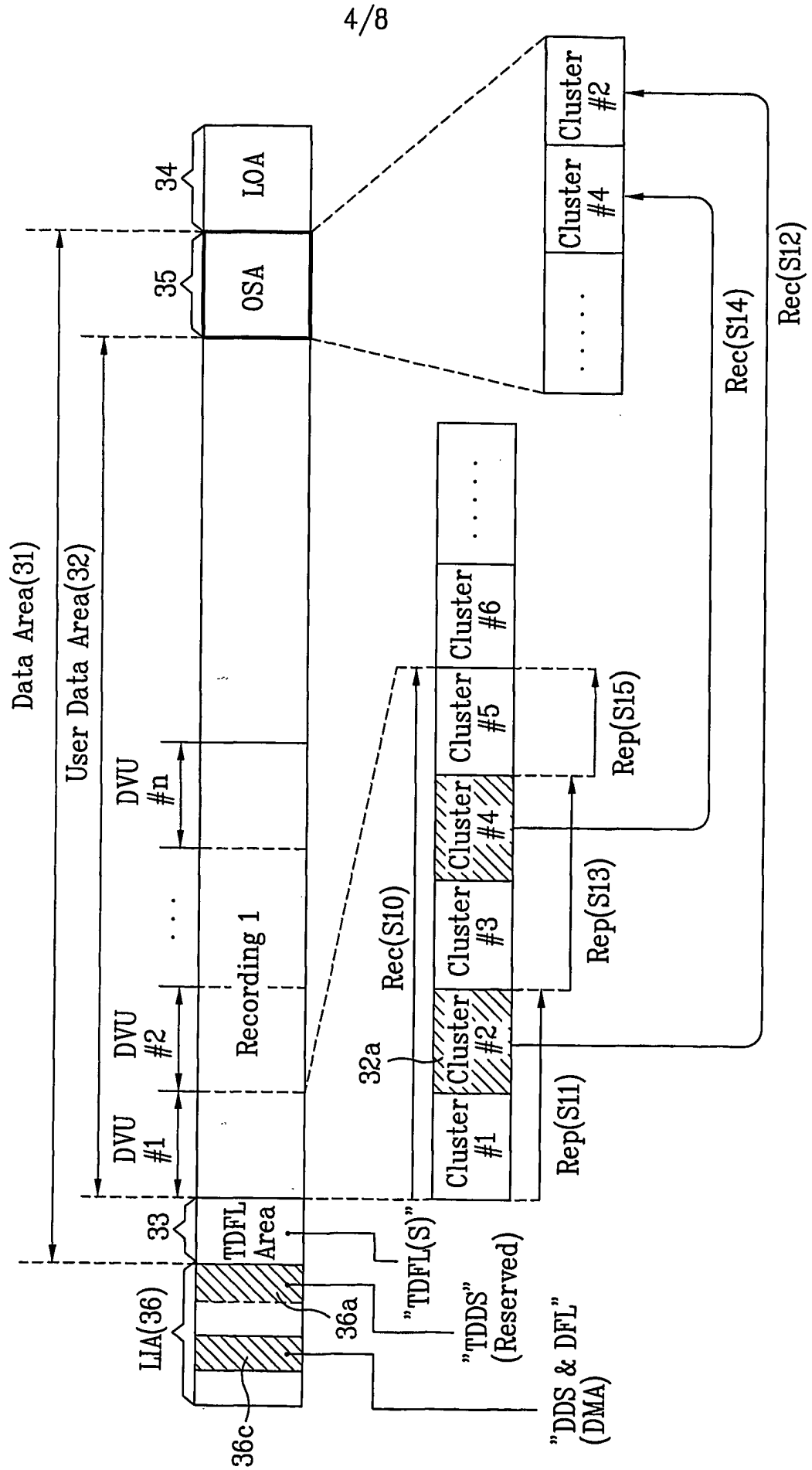


FIG. 5

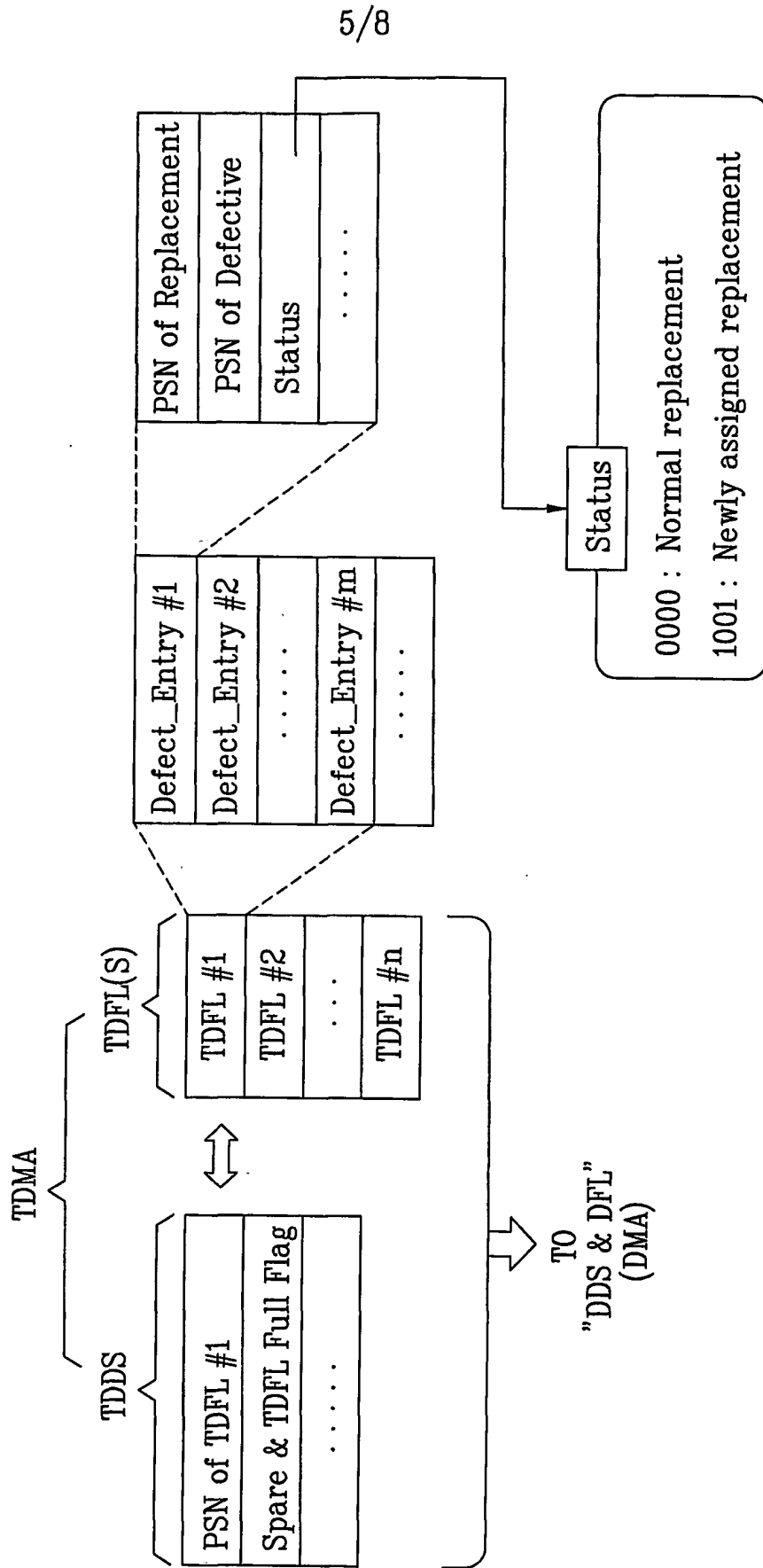


FIG. 6

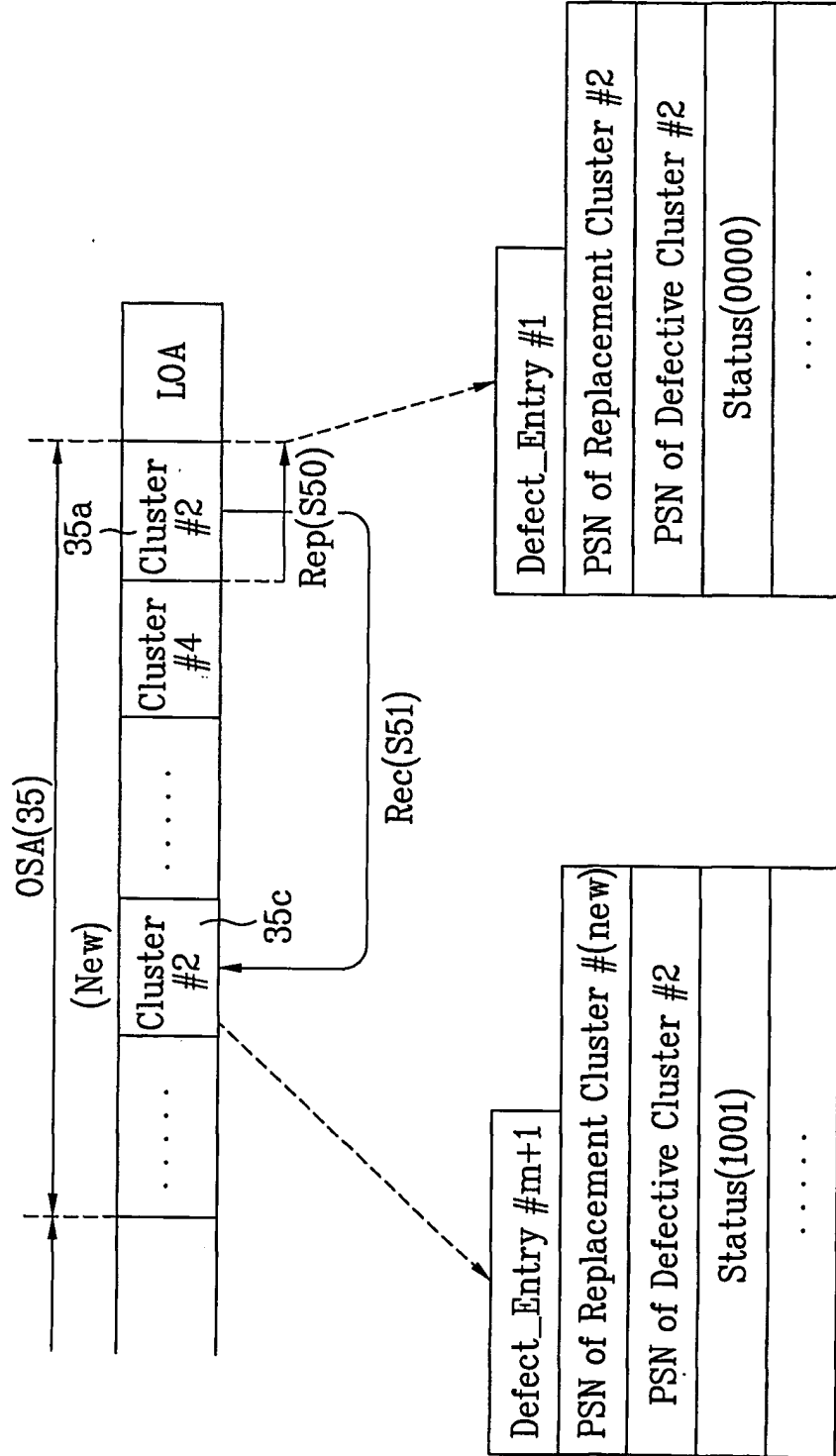


FIG. 7

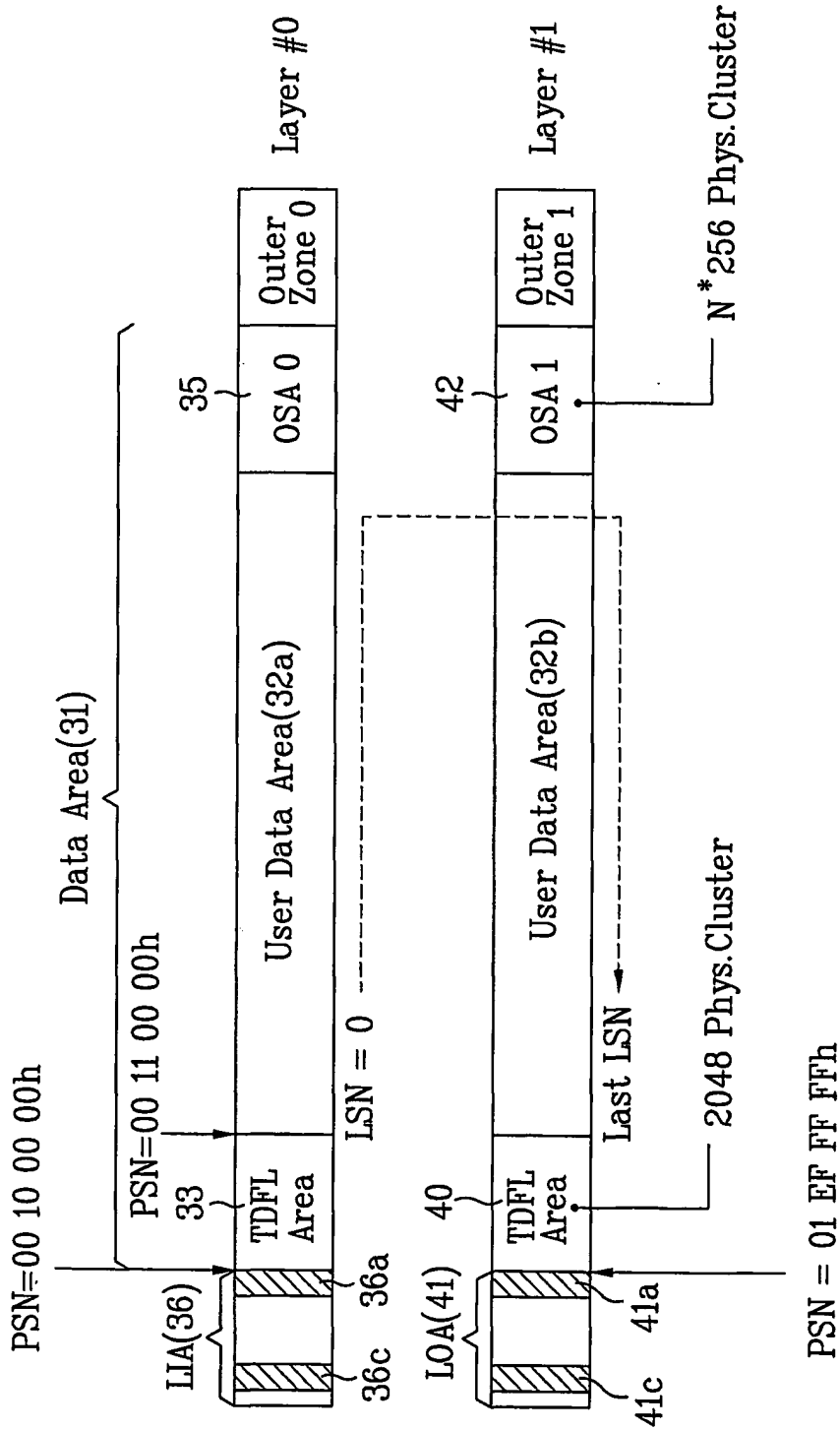
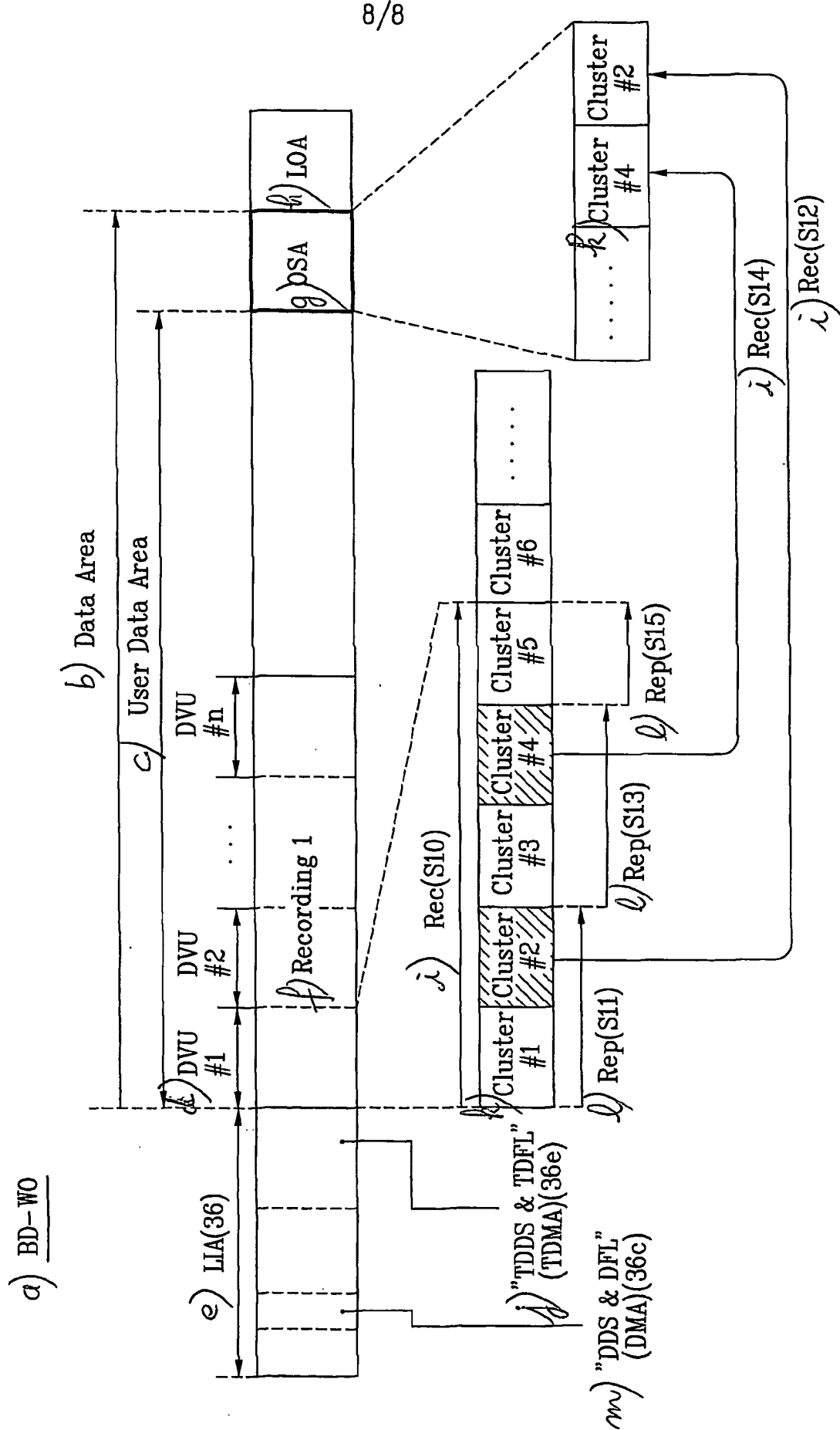


FIG. 8



INTERNATIONAL SEARCH REPORT

International application No.
PCT/KR 03/02010-0

CLASSIFICATION OF SUBJECT MATTER

IPC⁷: G11B 7/00, 11/00

According to International Patent Classification (IPC) or to both national classification and IPC

B. FIELDS SEARCHED

Minimum documentation searched (classification system followed by classification symbols)

IPC⁷: G11B 7/00, 11/00

Documentation searched other than minimum documentation to the extent that such documents are included in the fields searched

G11B 7/0045, 11/10, 11/12, 13/04, 20/10, 20/12

Electronic data base consulted during the international search (name of data base and, where practicable, search terms used)

WPI

C. DOCUMENTS CONSIDERED TO BE RELEVANT

Category	Citation of document, with indication, where appropriate, of the relevant passages	Relevant to claim No.
A	US 5805536 A (Gage et al.) 8 September 1998 (08.09.98)	1,22,25,26, 27,48
A	US 5247494 A (Ohno et al.) 21 September 1993 (21.09.93)	1,22,25,26, 27, 48
A	EP 0556046 A1 (Sony) 18 August 1993 (18.08.93)	1,22,25,26, 27,48

Further documents are listed in the continuation of Box C.

See patent family annex.

* Special categories of cited documents:

- „A“ document defining the general state of the art which is not considered to be of particular relevance
- „E“ earlier application or patent but published on or after the international filing date
- „L“ document which may throw doubts on priority claim(s) or which is cited to establish the publication date of another citation or other special reason (as specified)
- „O“ document referring to an oral disclosure, use, exhibition or other means
- „P“ document published prior to the international filing date but later than the priority date claimed

- „T“ later document published after the international filing date or priority date and not in conflict with the application but cited to understand the principle or theory underlying the invention
- „X“ document of particular relevance; the claimed invention cannot be considered novel or cannot be considered to involve an inventive step when the document is taken alone
- „Y“ document of particular relevance; the claimed invention cannot be considered to involve an inventive step when the document is combined with one or more other such documents, such combination being obvious to a person skilled in the art
- „&“ document member of the same patent family

Date of the actual completion of the international search

22 January 2004 (22.01.2004)

Date of mailing of the international search report

12 February 2004 (12.02.2004)

Name and mailing address of the ISA/AT
Austrian Patent Office
Dresdner Straße 87, A-1200 Vienna
Facsimile No. 1/53424/535

Authorized officer

GRÖSSING G.

Telephone No. 1/53424/386

INTERNATIONAL SEARCH REPORT

Information on patent family members

International application No.

PCT/KR 03/02010-0

Patent document cited in search report			Publication date	Patent family member(s)	Publication date
EP	A	556046		KR B 275000 DE T 69318053T DE D 69318053D US A 5309419 EP A 0556046 JP A 5225570	2000-12-15 1998-08-20 1998-05-28 1994-05-03 1993-08-18 1993-09-03
US	A	5247494	1993-09-21	JP A 60263353	1985-12-26
US	A	5805536	1998-09-08	none	